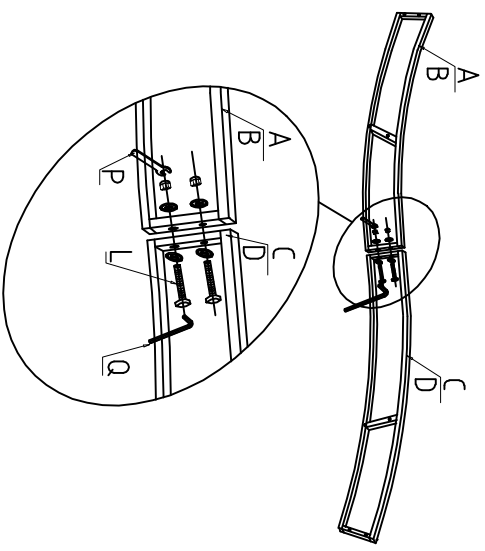
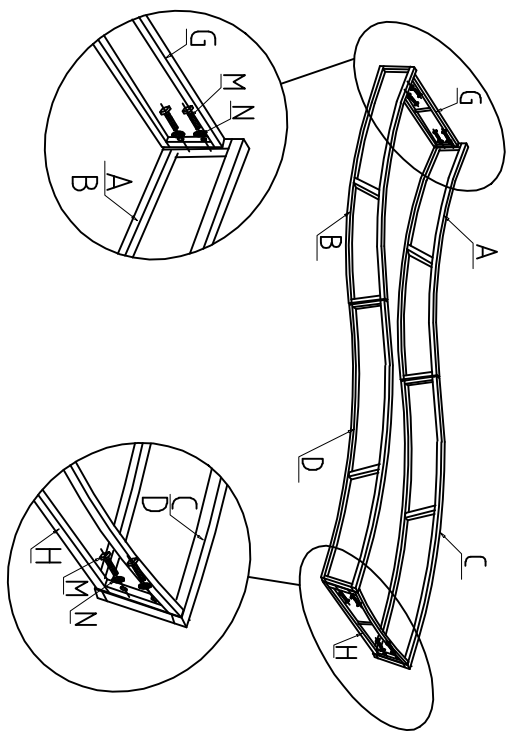


A		1
B		1
C		1
D		1
E		1
F		1
G		1
H		1
I		1
J		1
K		1
L		4
M		26
N		35
O		2
P		1
Q		1
R		1

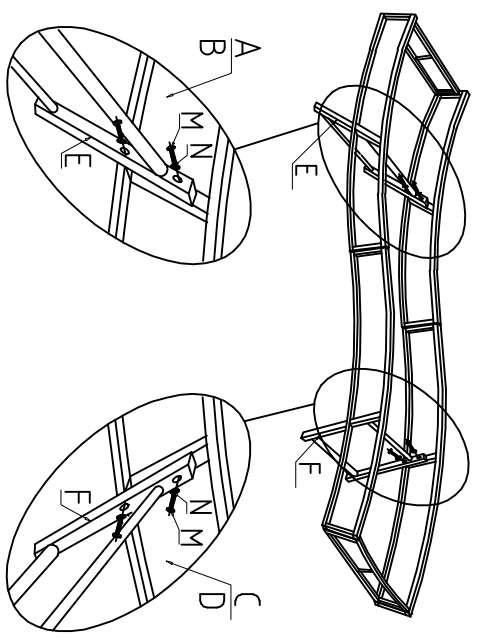
step 1



step 2



step 3



step 4

